

## Automatic PTZ Controller for Target Identification

The SightLogix® SightTracker™ is a GPS-based PTZ controller that automatically positions a PTZ camera to zoom and follow a detected target using the geo-registered target and tracking information provided by Thermal or Visible SightSensors®. SightTracker integrates PTZ camera control, real-time GPS coordinate mapping, and video encoding and compression within a ruggedized, NEMA4X enclosure.



Feature	Benefit
Automatically positions PTZ cameras to zoom and follow targets that violate policies using their GPS positions as determined by SightSensors	Solves the challenge of manually locating a detected alarm with a PTZ camera over large outdoor areas
Interfaces with PTZ cameras using Pelco Extended D protocol via RS-422 and Bosch protocol via RS-232 (Refer to SightTracker Certified - 3rd Party PTZ Support document for a list of certified cameras)	Enhances the functionality of new or existing PTZ assets with automated target tracking
Detected targets and PTZ camera Fields of View are dynamically updated within the SightMonitor® display system's topology map as the camera zooms or pans	Quickly identify the location and movement of security violations, even over large outdoor areas
Configurable for tracking priority, including first target acquired, newest target, closest target, fastest moving target, and largest target	Automatically track the most relevant targets for your application
Adjustable optical zoom setting automatically enlarges or reduces target magnification within the field of view	Continual up-close view of tracked objects provides sufficient detail (minimum 10% of the screen) for identification and forensic analysis
A single SightSensor can control multiple SightTracker/PTZ cameras; A single SightTracker can be controlled by multiple SightSensors	Detect and follow multiple divergent objects within a large scene
10/100 Ethernet with support for satellite, cellular, and full broadband communications; AES 256 bit encryption and SSL protocol	Flexible and secure communications
Seamless integration with third-party PTZ cameras	Open-system design supports leading industry systems.
Ruggedized (NEMA-4X) enclosure; rugged, multi-contact sealed Mil-C electrical connector	Built to withstand outdoor elements (rain, snow, humidity, sand, temperature extremes) for extended life

## Ordering Information

Part Number	Interface	Power
ST2-000	Ethernet	24V AC/DC
ST2-300	Ethernet	Power Over Ethernet Plus (PoE+) Mode A

## Accessories

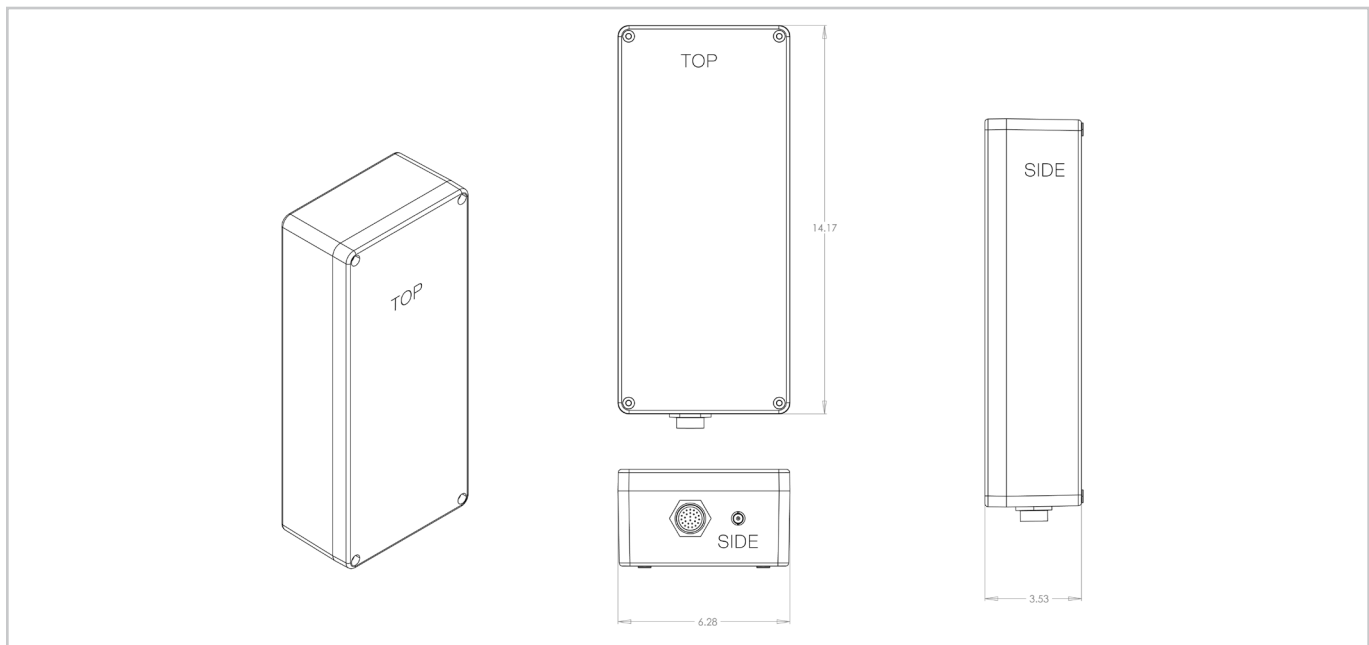
- **Visible and Thermal SightSensor** long-range detection cameras. Refer to each SightSensor datasheet
- **SightMonitor®** – GPS-based target display and coordination software. Refer to the *SightLogix SightMonitor Datasheet*.
- **Mounting Brackets and Cables**. Refer to the *SightLogix Accessories Datasheet*.

# Specifications

Video	
Input	1 volt peak-peak
Output	2 independent IP channels
Compression Type:	MPEG-4 (Simple Profile, Advanced Simple Profile); MJPEG
Bit Rate Profile	Constant (CBR) or variable bit rate (VBR)
Resolution	640 x 480 (4 CIF)
Frame Rate	Up to 30 frames per second.; user configurable
Electrical	
Voltage:	24 VAC/DC +/- 10% or PoE+ Mode A
Connector	26 pin Mil-C (power & data), BNC (video)
Power:	13 watts nominal
Network	
Ethernet Wired	10/100 RJ45, IEEE 802.3, 802.3i, 802.3u
Data Rate	64 kbps to 8 Mbps

Operating Mode	Full-duplex
Protocols	Supports all leading network protocols including streaming protocols
Target Tracking Output	
Communications	Metadata via industry standard XML over a HTTP/HTTPS interface for third-party integration
Real-time Reporting	Current time, alarm state, creation time, GPS position, size, heading, speed, aspect ratio, and alarm zone
Tracked object parameters	Current time, alarm state, creation time, GPS position, size, heading, speed, aspect ratio, and alarm zone

Specifications are subject to change without notice.



Enclosure		Environmental	
Weight:	3.6 kg (8 lbs.)	Operating Temperature	-30° to +60°C (-22° to 140°F)
Dimensions:	36.1 cm L x 16.0 cm W x 8.9 cm H (14.2" x 6.3" x 3.5")	Storage Temperature	-30° to +70°C (-22° to 158°F)
Enclosure:	NEMA 4X (IP66 compliant)	Relative Humidity:	0 to 100%
Mounting:	Pole or wall	Emissions:	FCC Part 15, Class A CE

©SightLogix, Inc. SightLogix, SightSensor and SightMonitor are registered trademarks of SightLogix, Inc.