

SightTracker

Auto-Tracking PTZ Controller



Hands-Free Target Identification

The SightLogix® SightTracker™ is a GPS-based PTZ controller that automatically positions a PTZ camera to zoom onto a detected target using the information provided by a SightSensor® detection camera. SightTracker integrates PTZ camera control and real-time GPS coordinate mapping within a ruggedized enclosure.



FEATURES

- ✔ Automatically positions PTZs onto detected targets
- ✔ FOVs & targets dynamically updated on SightMonitor®
- ✔ Ruggedized enclosure
- ✔ Supports certified IP and analog PTZ cameras

BENEFITS

- ✔ Up-close view of intrusions, even over large areas
- ✔ Quickly identify the location of security violations
- ✔ Built for high reliability in all weather
- ✔ Seamless integration and deployment

SIGHTSENSOR DETECTS



SIGHTTRACKER STEERS PTZ FOR DETAILS



ORDERING INFORMATION

Part Number	Supported PTZ	Power
ST3-000	Analog	24V or PoE
ST3-020	IP	24V or PoE

ACCESSORIES

Thermal SightSensor® video security cameras. Refer to the *SightSensor* and *SightSensor XA* datasheets.

SightMonitor® - Target display and coordination software. Refer to the *SightMonitor Datasheet*.

Mounting Brackets. Refer to the *SightLogix Accessories Datasheet*.

PN 6-2000004-002
Made in the USA

Specifications

Video (Analog SightTrackers)*

Input	1 volt peak-peak
Output	2 independent IP channels
Compression Type:	H.264, MPEG-4 (Simple Profile), MJPEG
Resolution	640 x 480 (4CIF)
Frame Rate	Up to 30 frames per second.; user configurable

*IP SightTrackers connect directly to VMS

Electrical

Voltage:	24 VAC/DC +/- 10% or PoE IEEE 802.11af
Connector	RJ45 (Ethernet), RS422/RS232, RS485, SMB (video in), terminal blocks for power, audio out/in, relay out, dry contact in
Power:	5 watts nominal

Network

Ethernet Wired	10/100 RJ45, IEEE 802.3, 802.3i, 802.3u
Data Rate	64 Kbps to 8 Mbps
Operating Mode	100 Mbps - Full-duplex, Half-duplex 10 Mbps - Half-duplex only
Protocols	DHCP, IPv4, HTTP, HTTPS, SSL, SLP, DNS, NTP, RTSP, RTP, TCP, UDP, IGMP, RTCP, ICMP, ARP

Target Tracking Output

Communications	Metadata via industry standard XML over a HTTP/HTTPS interface for third-party integration
Real-time Reporting	Current time, alarm state, creation time, GPS position, size, heading, speed, aspect ratio, and alarm zone
Tracked object parameters	Current time, alarm state, creation time, GPS position, size, heading, speed, aspect ratio, and alarm zone

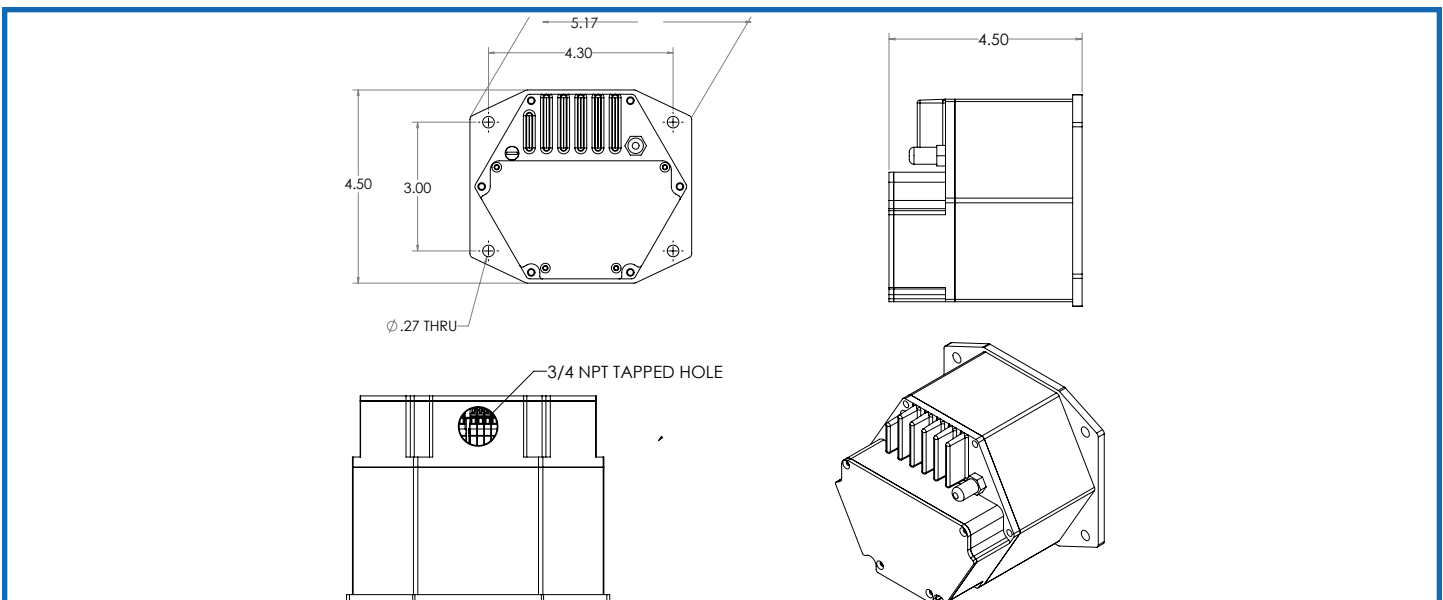
ADDITIONAL SPECIFICATIONS

Interfaces with certified IP PTZs using ONVIF. Interfaces with certified Analog PTZs using Pelco Extended D protocol via RS-422 or Bosch protocol via RS-232. (Refer to SightTracker Certified-3rd Party PTZ Support document for certified cameras)

Configurable for tracking priority, including first target acquired, newest target, closest target, fastest moving target, and largest target

Configurable optical zoom setting automatically enlarges or reduces target magnification within the field of view

A single SightSensor can control multiple SightTracker/PTZ's; a single SightTracker can be controlled by multiple SightSensors



Specifications are subject to change without notice. © SightLogix, Inc. SightLogix, SightSensor and SightMonitor are registered trademarks of SightLogix, Inc.