

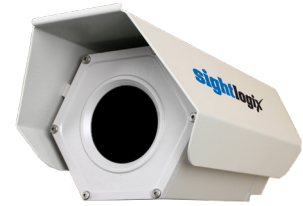
# Thermal SightSensor NS4 (384x288)

## Long-Range Detection Camera



### Outstanding Thermal Intruder Detection

The SightSensor NS4 is a 384x288 smart thermal camera that detects, analyzes and communicates real-time intruder activity over site perimeters and buffer zones. With 44% higher resolution than standard 320x240 imagers, NS4 works at the edge and includes powerful video processing, geo-aware video analytics, automatic stabilization, exceptional thermal clarity, and a toolbox of filters to optimize outdoor performance.



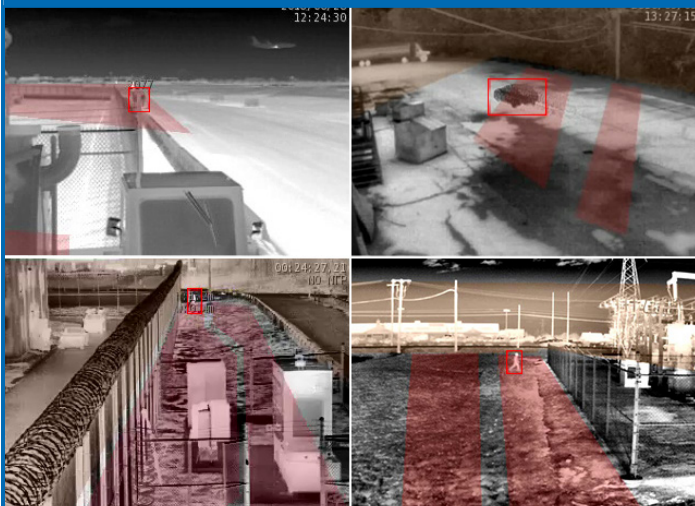
#### FEATURES

- ✓ Powerful image processing
- ✓ Geo-aware video analytics
- ✓ Outstanding thermal image clarity

#### BENEFITS

- ✓ Accurate detection, extended range, low false alarms
- ✓ Detect intrusions while ignoring animals
- ✓ Nighttime surveillance without lighting

#### PROCESSING YIELDS OUTSTANDING DETECTION AND CLARITY



#### ORDERING INFORMATION

Part Number	Inbound Detection	FOV	Lens
NS480-020	164 ft (50m)	80°	4.9 mm
NS440-020	360 ft (110m)	40°	9.1 mm
NS428-020	525 ft (160m)	28°	13 mm
NS420-020	770 ft (235m)	20°	19 mm
NS415-020	984 ft (300m)	15°	25 mm

Crossfield detection distances may be up to 50% further, depending on application conditions

#### ACCESSORIES

##### Mounts

Wall and pole mounts available. Refer to the *SightLogix Accessories* datasheet

##### SightMonitor

Site management and GPS target display software. Refer to the *SightLogix SightMonitor* datasheet.

##### SightTracker

Automatic PTZ controller. Refer to the *SightLogix SightTracker PTZ* datasheet.

745 Alexander Road | Princeton, NJ 08540  
 p +1 609.951.0008 | f 609.951.0024  
[www.sightlogix.com](http://www.sightlogix.com)



# Specifications

## Imager

**Detector:** Un-cooled VOx Microbolometer: 17 micron

**Resolution:** 384x288 (fixed lens)

**Dynamic Range:** 14 bit digital sensor interface

**Sensitivity (NETD) @ f/1.0:** < 50 mK at room temp

**Compression:** H.264, MPEG-4 (Simple Protocol), MJPEG

**Frame Rate:** Up to 30 FPS; user configurable

## Video Analytics

**Video Analytic Rules (Up to 64 individual Alarm Zones)**

Motion Tracking, From/To Zones, Target Size Filtering, Wrong-Way Direction, Loitering, Object Left Behind, Speed, Time of Day, Mask Zones

**Onboard Storage** - Built-in microSD slot (card not supplied; high-endurance cards strongly recommended). Stored clips accessed via WebConfig.

## Communications

Metadata via industry standard XML over a HTTP/HTTPS interface for 3rd-party integration

## Electrical

### Power Requirements

- Without Window Heater  
6W, 24VAC +/- 10% or PoE IEEE 802.3af
- With Window Heater (24VAC only):  
26W 24VAC (1.5 amps)

**I/O Connectors:** RJ45 (Ethernet), SMB (video in & out), terminal blocks for RS422/RS232, power, relay out

**Relay Out:** Max current: 0.3A, Max voltage 24VDC

## Target Tracking Output

### Communications

Metadata via industry standard XML over a HTTP/HTTPS interface for 3rd-party integration

### SightTracker (optional)

Uses detected targets' GPS coordinates to automatically position supported PTZ cameras for continual tracking

## Network

### Ethernet Wired

100 RJ45, IEEE 802.3, 802.3i, 802.3u

**Data Rate:** 64 kbps to 8 Mbps

**Operating Mode:** 100 Mbps - Full-duplex, Half-duplex

**Protocols:** DHCP, IPv4, HTTP, HTTPS, SSL, SLP, DNS, NTP, RTSP, RTP, TCP, UDP, IGMP, RTCP, ICMP, ARP

**Configuration:** SightMonitor application or browser-based WebConfig

## Camera Enclosure

**Weight:** 2.1 kg (4.6 lbs.)

### Dimensions

30.7 cm L x 14.7 cm W x 14.0 cm H

**Enclosure:** IP66

### Mounting

3 x 1/4-20 UNC bolts

### Powder Coat Rating

1000 sea-spray hours

## Environmental

### Operating Temperature

-40° to +55°C (-40° to +131°F)

### Relative Humidity

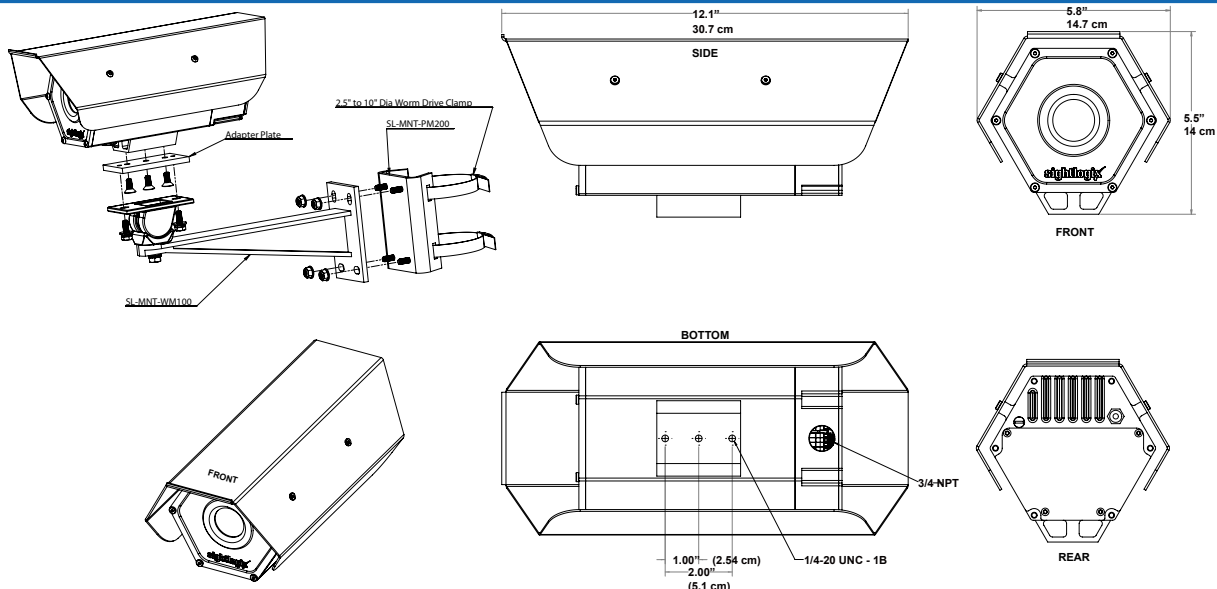
0 to 100%

### Storage Temperature

-40° to +80°C (-40° to 176°F)

### Safety Compliance

FCC Part 15, Class A, CE



Specifications are subject to change without notice. © SightLogix, Inc. SightLogix, SightSensor and SightMonitor are registered trademarks of SightLogix, Inc. Equipment described herein is subject to US export regulations and may require a license prior to export. Diversion contrary to US law is prohibited.

745 Alexander Road | Princeton, NJ 08540 | p +1 609.951.0008 | f 609.951.0024 | [www.sightlogix.com](http://www.sightlogix.com)