

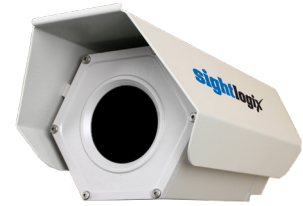
Thermal SightSensor NS 320x240

Long-Range Detection Camera

sightlogix
making outdoor video...*smarter*

Outstanding Thermal Intruder Detection

The SightSensor NS is a smart thermal camera that detects, analyzes and communicates real-time intruder activity over critical perimeters at outdoor sites. Like all SightSensor thermal cameras, the NS works at the edge and includes integrated video analytics, scene and gyro-based stabilization, and a toolbox of filters to optimize outdoor performance.



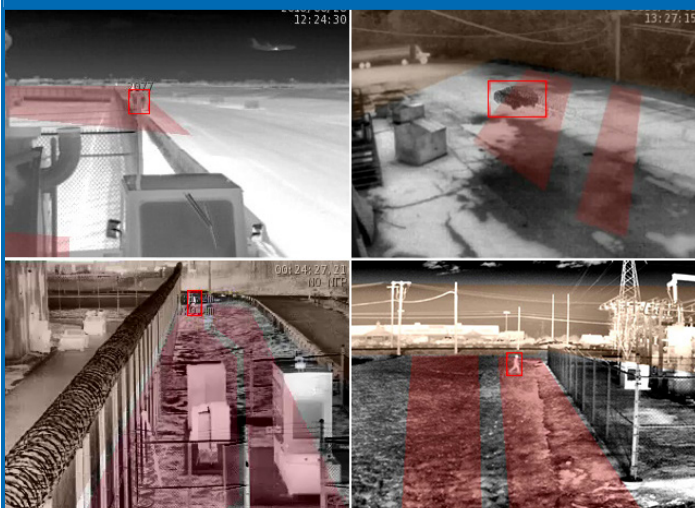
FEATURES

- ✓ Powerful image processing
- ✓ Geospatial video analytics
- ✓ Outstanding thermal image clarity

BENEFITS

- ✓ Accurate detection, extended range, low false alarms
- ✓ Detect intrusions while ignoring animals
- ✓ Nighttime surveillance without lighting

PROCESSING YIELDS OUTSTANDING DETECTION AND CLARITY



ORDERING INFORMATION

Part Number	Inbound Detection	FOV
NS35-320	113 ft (35m)	90°
NS62-320	203 ft (62m)	60°
NS95-320	306 ft (95m)	42°
NS160-320	515 ft (160m)	24°
NS242-320	779 ft (242m)	16°
NS430-320	1411 ft (430m)	9°
NS600-320	1969 ft (600m)	6.2°

Crossfield detection distances may be up to 50% further, depending on application conditions

ACCESSORIES

Mounts

Wall and pole mounts available. Refer to the *SightLogix Accessories* datasheet

SightMonitor

GPS-based target display and coordination software. Refer to the *SightLogix SightMonitor* datasheet

SightTracker

Automatic PTZ controller. Refer to the *SightLogix SightTracker* datasheet.

745 Alexander Road | Princeton, NJ 08540
p +1 609.951.0008 | f 609.951.0024
www.sightlogix.com

sightlogix
making outdoor video...*smarter*

Specifications

Imager

Detector: Un-cooled VOx Microbolometer: 8-14 micron
Resolution: 320x240 (fixed lens)
Fields of View: 90° 60° 42° 24° 16° 9° 6.2°
Dynamic Range: 14 bit digital sensor interface
Sensitivity (NETD) f/1.0: < 50 mK at room temp
Compression: H.264, MPEG-4 (Simple Protocol), MJPEG
Frame Rate: Up to 30 FPS; user configurable

Video Analytics

Video Analytic Rules (Up to 64 individual Alarm Zones)
 Motion Tracking, From/To Zones, Target Size Filtering, Wrong-Way Direction, Loitering, Object Left Behind, Speed, Time of Day, Mask Zones
Onboard Storage - Built-in microSD slot (card not supplied; high-endurance cards strongly recommended). Stored clips accessed via WebConfig.
Communications
 Metadata via industry standard XML over a HTTP/HTTPS interface for 3rd-party integration

Electrical

Power Requirements
 - **Thermal imager use only:**
 6W, 24VAC +/- 10% or PoE IEEE 802.3af
 - **Window Heater (if enabled):** 20W (24VAC required)
Total power (with all functionality): 26W 24VAC (1.5 amps)
I/O Connectors: RJ45 (Ethernet), SMB (video in & out), terminal blocks for RS422/RS232, power, relay out

Target Tracking Output Communications

Metadata via industry standard XML over a HTTP/HTTPS interface for 3rd-party integration
SightTracker (optional)
 Uses detected targets' GPS coordinates to automatically position supported PTZ cameras for continual tracking

Network

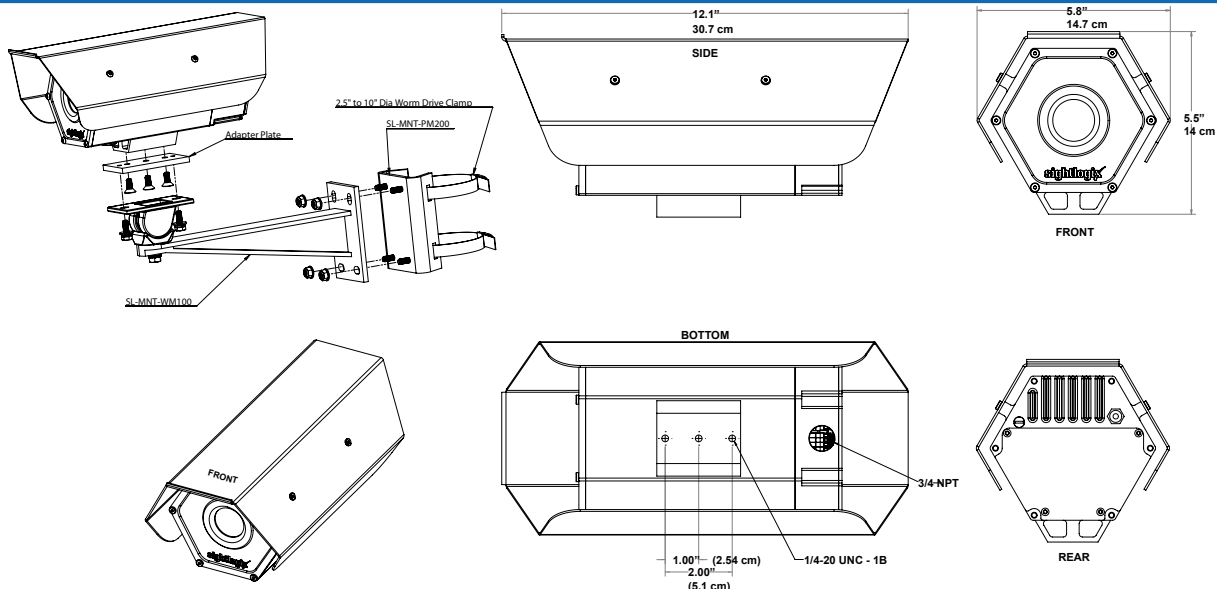
Ethernet Wired
 100 RJ45, IEEE 802.3, 802.3i, 802.3u
Data Rate: 64 kbps to 8 Mbps
Operating Mode: 100 Mbps - Full-duplex, Half-duplex
Protocols: DHCP, IPv4, HTTP, HTTPS, SSL, SLP, DNS, NTP, RTSP, RTP, TCP, UDP, IGMP, RTCP, ICMP, ARP
Configuration: SightMonitor application or browser-based WebConfig

Camera Enclosure

Weight: 2.1 kg (4.6 lbs.)
Dimensions
 30.7 cm L x 14.7 cm W x 14.0 cm H
Enclosure: IP66
Mounting
 3 x 1/4-20 UNC bolts
Powder Coat Rating
 1000 sea-spray hours

Environmental

Operating Temperature **Relative Humidity**
 -40° to +60°C (-40° to +140°F) 0 to 100%
Storage Temperature **Safety Compliance**
 -40° to +80°C (-40° to 176°F) FCC Part 15, Class A, CE



Specifications are subject to change without notice. © SightLogix, Inc. SightLogix, SightSensor and SightMonitor are registered trademarks of SightLogix, Inc. Equipment described herein is subject to US export regulations and may require a license prior to export. Diversion contrary to US law is prohibited.

745 Alexander Road | Princeton, NJ 08540 | p +1 609.951.0008 | f 609.951.0024 | www.sightlogix.com