

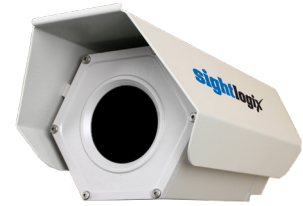
Thermal SightSensor NS4 (384x288)

Long-Range Detection Camera



Outstanding Thermal Intruder Detection

The SightSensor NS4 is a 384x288 smart thermal camera that detects, analyzes and communicates real-time intruder activity over site perimeters and buffer zones. With 44% higher resolution than standard 320x240 imagers, NS4 works at the edge and includes powerful video processing, geo-aware video analytics, thermal AI nuisance alarm filtering, automatic stabilization, exceptional thermal clarity, and a toolbox of filters to optimize outdoor performance.



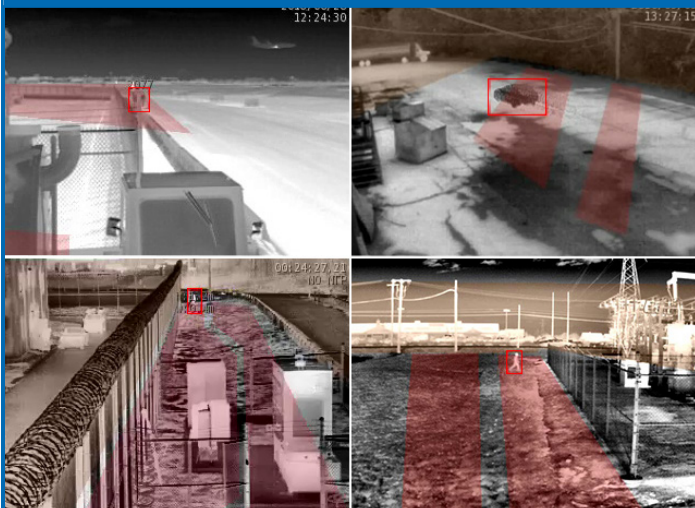
FEATURES

- ✓ Powerful image processing
- ✓ Geo-aware video analytics
- ✓ Outstanding thermal image clarity

BENEFITS

- ✓ Accurate detection, extended range, low false alarms
- ✓ Detect intrusions while ignoring animals
- ✓ Nighttime surveillance without lighting

PROCESSING YIELDS OUTSTANDING DETECTION AND CLARITY



ORDERING INFORMATION

| Part Number | Inbound Detection | FOV | Lens |
|-------------|-------------------|-----|--------|
| NS480-020 | 164 ft (50m) | 80° | 4.9 mm |
| NS440-020 | 360 ft (110m) | 40° | 9.1 mm |
| NS428-020 | 525 ft (160m) | 28° | 13 mm |
| NS420-020 | 770 ft (235m) | 20° | 19 mm |
| NS415-020 | 984 ft (300m) | 15° | 25 mm |

Crossfield detection distances may be up to 50% further, depending on application conditions

ACCESSORIES

Mounts

Wall and pole mounts available. Refer to the *SightLogix Accessories* datasheet

SightMonitor

Site management and GPS target display software. Refer to the *SightLogix SightMonitor* datasheet.

SightTracker PTZ

Smart AI people tracker for outdoor sites. Refer to the *SightLogix SightTracker PTZ* datasheet.

745 Alexander Road | Princeton, NJ 08540
 p +1 609.951.0008 | f 609.951.0024
www.sightlogix.com



Specifications

Imager

Detector: Un-cooled VOx Microbolometer: 17 micron
Imager (Pixels): 384x288
Imager (Resolution): 384x288, Smart Upscaling to 768x576
Dynamic Range: 14 bit digital sensor interface
Sensitivity (NETD) f/1.0: < 50 mK at room temp
Compression: H.264, MPEG-4 (Simple Protocol), MJPEG
Frame Rate: Up to 30 FPS; user configurable

Video Analytics

Video Analytic Rules (Up to 64 individual Alarm Zones)
 Motion Tracking, From/To Zones, Target Size Filtering, Wrong-Way Direction, Loitering, Object Left Behind, Speed, Time of Day, Mask Zones, Shock Detection

Thermal AI Filter Options: "None", "Everything Except Person and Vehicle," "Everything Except Person," "Everything Except Vehicle".

Onboard Storage - Built-in microSD slot (card not supplied; high-endurance cards strongly recommended). Stored clips accessed via WebConfig.

Communications

Metadata via industry standard XML over a HTTP/HTTPS interface for 3rd-party integration

Electrical Power Specifications

PoE IEEE 802.3af
 Basic Operations: 9W
 (Window Heater not supported on POE)

24VAC +/- 10%
 Basic Operations: 9W
 Window Heater: 1- 20W, adjustable

I/O Connectors: RJ45 (Ethernet), SMB (video in & out), terminal blocks for RS422/RS232, power, relay out

Relay Out: Max current: 0.3A, Max voltage 24VDC

Target Tracking Output

Communications
 Metadata via industry standard XML over a HTTP/HTTPS interface for 3rd-party integration

SightTracker (optional)

Uses detected targets' GPS coordinates to automatically position supported PTZ cameras for continual tracking

Network

Ethernet Wired
 100 RJ45, IEEE 802.3, 802.3i, 802.3u

Data Rate: 64 kbps to 8 Mbps

Operating Mode: 100 Mbps - Full-duplex, Half-duplex

Protocols: DHCP, IPv4, HTTP, HTTPS, SSL, SLP, DNS, NTP, RTSP, RTP, TCP, UDP, IGMP, RTCP, ICMP, ARP

Configuration: SightMonitor application or browser-based WebConfig

Camera Enclosure

Weight: 2.1 kg (4.6 lbs.)

Dimensions
 30.7 cm L x 14.7 cm W x 14.0 cm H

Enclosure: IP66

Mounting

3 x 1/4-20 UNC bolts

Powder Coat Rating
 1000 sea-spray hours

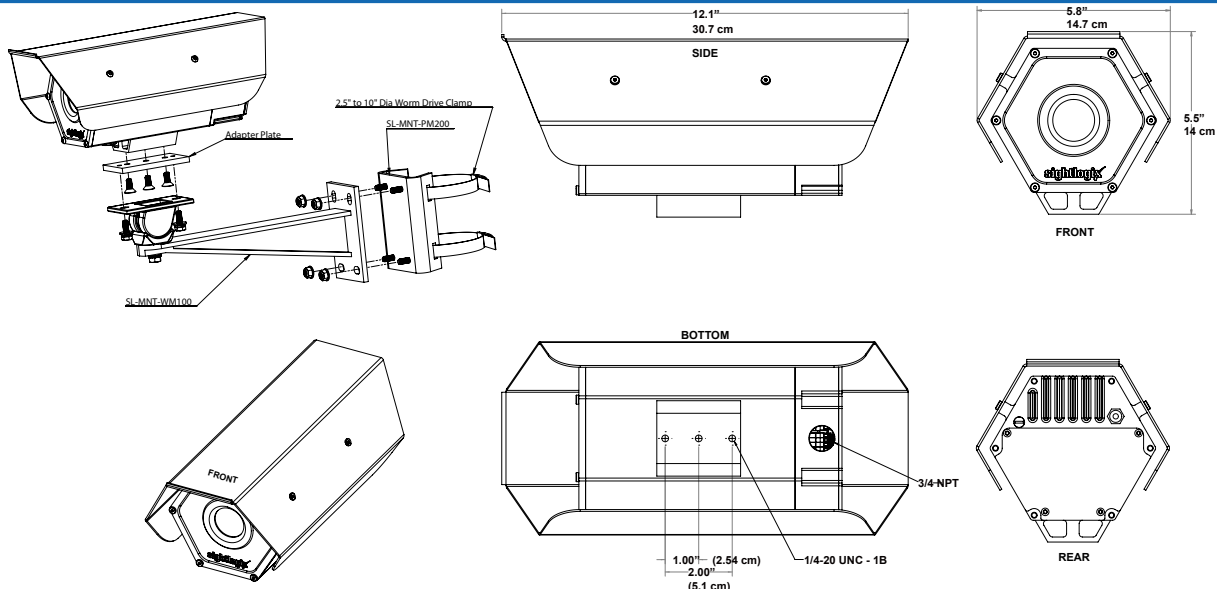
Environmental

Operating Temperature **Safety Compliance**
 -40° to +55°C (-40° to +131°F) FCC Part 15, Class A, CE

Operating Relative Humidity
 0 to 100%

Storage Temperature
 -40° to +80°C (-40° to 176°F)

Storage Relative Humidity
 0-95%, non-condensing



Specifications are subject to change without notice. © SightLogix, Inc. SightLogix, SightSensor and SightMonitor are registered trademarks of SightLogix, Inc. Equipment described herein is subject to US export regulations and may require a license prior to export. Diversion contrary to US law is prohibited.

745 Alexander Road | Princeton, NJ 08540 | p +1 609.951.0008 | f 609.951.0024 | www.sightlogix.com