

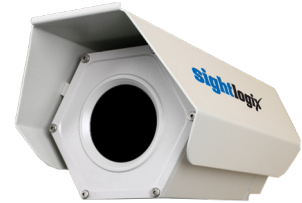
# Thermal SightSensor NS 640x480

## Long-Range/Wide Area Detection Camera



### Outstanding Thermal Intruder Detection

The SightSensor NS is a smart thermal camera that detects, analyzes and communicates real-time intruder activity over site perimeters and buffer zones. The NS works at the edge and includes powerful video processing, geo-aware video analytics, automatic stabilization, exceptional thermal clarity, and a toolbox of filters to optimize outdoor intruder detection performance.



#### FEATURES

- ✔ Powerful image processing
- ✔ Geospatial video analytics
- ✔ Outstanding thermal image clarity

#### BENEFITS

- ✔ Accurate detection, extended range, low false alarms
- ✔ Higher detection accuracy, lower false alarms
- ✔ Nighttime surveillance without lighting

#### PROCESSING YIELDS OUTSTANDING THERMAL DETECTION AND CLARITY



#### AVAILABLE ACCESSORIES

##### Mounts

Wall and pole mounts available. Refer to the *SightLogix Accessories* datasheet.

##### SightMonitor

Site management and GPS target display software. Refer to the *SightLogix SightMonitor* datasheet.

##### SightTracker

Automatic PTZ controller. Refer to the *SightLogix SightTracker* datasheet.

#### ORDERING INFORMATION

Part Number	Inbound Detection	FOV	Focal Length
NS75-620	75m / 246 ft	90°	7.5 mm
NS100-620	100m / 328 ft	70°	9 mm
NS145-620	145m / 475 ft	50°	13 mm
NS195-620	195m / 640 ft	32°	16.7 mm
NS220-620	220m / 722 ft	32°	19 mm
NS305-620	300m / 984 ft	24°	25 mm
NS410-620	410m / 1345 ft	17°	35 mm
NS595-620	595M / 1952 ft	12°	50 mm

Crossfield detection may be up to 50% further, depending on application conditions.

PN 6-200022-004 Feb 2023

# Specifications

## Imager and Video Output

**Detector:** Un-cooled VOx Microbolometer, 17 micron

**Resolution:** 640x480 (fixed lens)

**Dynamic Range:** 14 bit digital sensor interface

**Sensitivity (NETD) f/1.0:** < 50 mK at room temp

**Frame Rate:** Up to 25 FPS; user configurable

**Video Output:** H.264, MPEG-4 (Simple Protocol), MJPEG

## Video Analytics

**Video Analytic Rules**  
(Up to 64 individual Alarm Zones)

Motion Tracking, From/To Zones, Target Size Filtering, Wrong-Way Direction, Loitering, Object Left Behind, Speed, Time of Day, Mask Zones, Shock Detection

**Onboard Storage** - Built-in microSD slot (card not supplied; high-endurance cards strongly recommended). Stored clips accessed via WebConfig.

## Target Object Parameters

Time, alarm state, creation time, GPS position, size, heading, speed, aspect ratio, and alarm zone

## Electrical

### Power Requirements:

Without Window Heater:

-12W, 24VAC +/- 10% or PoE IEEE 802.3af

With Window Heater (24VAC only):

-32W 24VAC (1.5 amps)

**I/O Connectors:** RJ45 (Ethernet), SMB (video in & out), terminal blocks for RS422/RS232, power, relay out

**Relay Out:** Max current: 0.3A, Max voltage 24VDC

## Target Tracking Output

### Communications

Metadata via industry standard XML over a HTTP/HTTPS interface for 3rd-party integration

### SightTracker (optional)

Provides detected targets' GPS coordinates to automatically position supported PTZ cameras for continual tracking

## Network

### Ethernet Wired

100 RJ45, IEEE 802.3, 802.3i, 802.3u

**Data Rate:** 64 kbps to 8 Mbps

**Operating Mode:** 100 Mbps - Full-duplex, Half-duplex

**Protocols:** DHCP, IPv4, HTTP, HTTPS, SSL, SLP, DNS, NTP, RTSP, RTP, TCP, UDP, IGMP, RTCP, ICMP, ARP

**Configuration:** Browser-based WebConfig (SightMonitor II for site-wide management)

## Camera Enclosure

**Weight:** 2.1 kg (4.6 lbs.)

### Mounting

3 x 1/4-20 UNC bolts

### Dimensions

30.7 cm L x 14.7 cm W x 14.0 cm H

### Powder Coat Rating

1000 sea-spray hours

**Enclosure:** IP66

## Environmental

### Operating Temperature

-40° to +60°C (-40° to +140°F)

### Relative Humidity

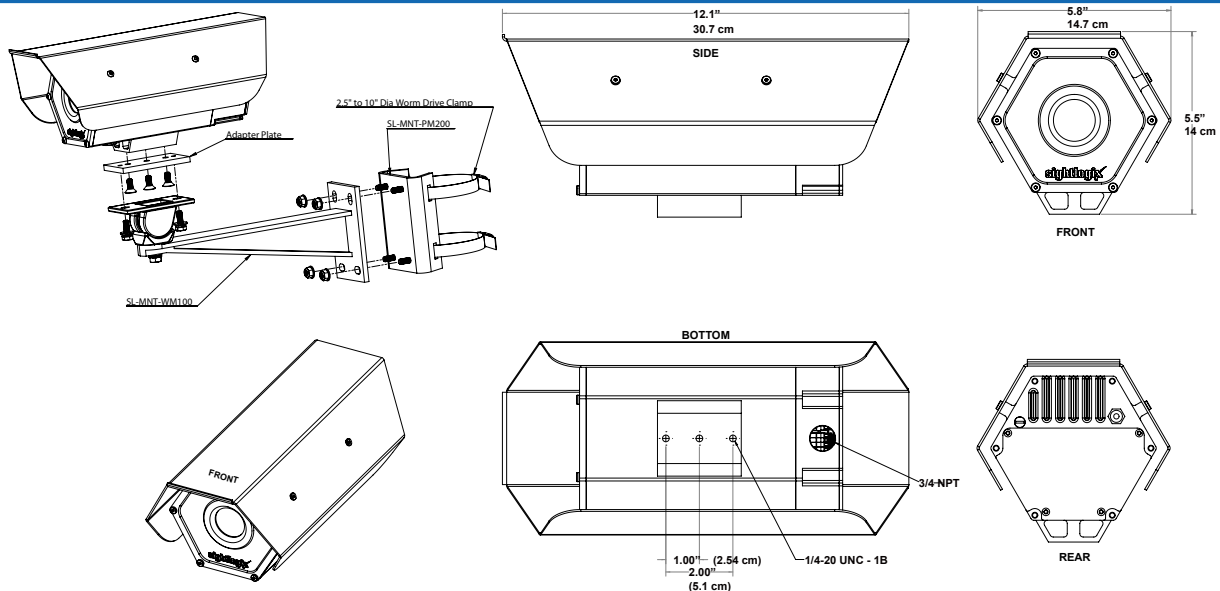
0 to 100%

### Storage Temperature

-40° to +80°C (-40° to 176°F)

### Safety Compliance

FCC Part 15, Class A, CE



Specifications are subject to change without notice. © SightLogix, Inc. SightLogix, SightSensor and SightMonitor are registered trademarks of SightLogix, Inc. Equipment described herein is subject to US export regulations and may require a license prior to export. Diversion contrary to US law is prohibited.

745 Alexander Road | Princeton, NJ 08540 | p +1 609.951.0008 | f 609.951.0024 | [www.sightlogix.com](http://www.sightlogix.com)