

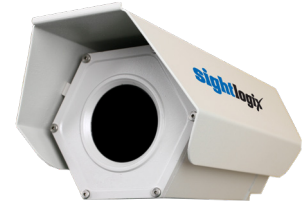
SightSensor GT (International)

Smart Thermal Detection Camera

sightlogix
making outdoor video... *smarter*

Outstanding Thermal Intruder Detection

The SightSensor GT is a smart thermal camera that detects, analyzes and communicates real-time intruder activity over site perimeters and buffer zones. The GT works at the edge and includes powerful video processing, geo-aware video analytics, thermal AI nuisance alarm filtering, automatic stabilization, exceptional thermal clarity, and a toolbox of filters to optimize outdoor intruder detection performance.



FEATURES

- ✔ Powerful image processing
- ✔ Geospatial video analytics
- ✔ Outstanding thermal image clarity

BENEFITS

- ✔ Accurate detection, extended range, low false alarms
- ✔ Higher detection accuracy, lower false alarms
- ✔ Nighttime surveillance without lighting

PROCESSING YIELDS OUTSTANDING THERMAL DETECTION AND CLARITY



AVAILABLE ACCESSORIES

Mounts

Wall and pole mounts available. Refer to the *SightLogix Accessories* datasheet.

SightMonitor II

Site management and GPS target display software. Refer to the *SightLogix SightMonitor II* datasheet.

SightTracker PTZ

Smart AI people tracker. Refer to the *SightLogix SightTracker PTZ* datasheet.

ORDERING INFORMATION

Part Number	Inbound Detection	FOV	Focal Length
GT690-020	75m / 246 ft	90°	7.5 mm
GT670-020	100m / 328 ft	70°	9 mm
GT650-020	145m / 475 ft	50°	13 mm
GT632-020	220m / 722 ft	32°	19 mm
GT624-020	300m / 984 ft	24°	25 mm
GT617-020	410m / 1345 ft	17°	35 mm
GT612-020	595M / 1952 ft	12°	50 mm

Crossfield detection may be up to 50% further, depending on application conditions.

PN 6-200022-005 May 2024

Specifications

Imager and Video Output

Detector: Un-cooled VOx Microbolometer, 17 micron
Resolution: 640x480 (fixed lens)
Dynamic Range: 14 bit digital sensor interface
Sensitivity (NETD): 40mk/f1.0/25°C
Frame Rate: Up to 25 FPS; user configurable
Video Output: H.264, MPEG-4 (Simple Protocol), MJPEG

Video Analytics

Video Analytic Rules (Up to 64 individual Alarm Zones)
 Motion Tracking, From/To Zones, Target Size Filtering, Wrong-Way Direction, Loitering, Object Left Behind, Speed, Time of Day, Mask Zones, Shock Detection

Thermal AI Filter Options: "None", "Everything Except Person and Vehicle," "Everything Except Person," "Everything Except Vehicle".

Onboard Storage - Built-in microSD slot (card not supplied; high-endurance cards strongly recommended). Stored clips accessed via WebConfig.

Target Object Parameters

Time, alarm state, creation time, GPS position, size, heading, speed, aspect ratio, and alarm zone

Electrical Power Specifications

PoE IEEE 802.3af
 Basic Operations: 12W
 (Window Heater not supported on POE)
24VAC +/- 10%
 Basic Operations: 12W
 Window Heater (24VAC Only): 1- 20W, adjustable
I/O Connectors: RJ45 (Ethernet), SMB (video in & out), terminal blocks for RS422/RS232, power, relay out
Relay Out: Max current: 0.3A, Max voltage 24VDC

Target Tracking Output

Communications

Metadata via industry standard XML over a HTTP/HTTPS interface for 3rd-party integration

SightTracker (optional)

Provides detected targets' GPS coordinates to automatically position supported PTZ cameras for continual tracking

Network

Ethernet Wired

100 RJ45, IEEE 802.3, 802.3i, 802.3u

Data Rate: 64 kbps to 8 Mbps

Operating Mode: 100 Mbps - Full-duplex, Half-duplex

Protocols: DHCP, IPv4, HTTP, HTTPS, SSL, SLP, DNS, NTP, RTSP, RTP, TCP, UDP, IGMP, RTCP, ICMP, ARP

Configuration: Browser-based WebConfig (SightMonitor II for site-wide management)

Camera Enclosure

Weight: 2.1 kg (4.6 lbs.)

Mounting

3 x 1/4-20 UNC bolts

Dimensions

30.7 cm L x 14.7 cm W x 14.0 cm H

Powder Coat Rating

1000 sea-spray hours

Enclosure: IP66

Environmental

Operating Temperature

-40° to +60°C (-40° to +140°F)

Safety Compliance

FCC Part 15, Class A, CE

Operating Relative Humidity

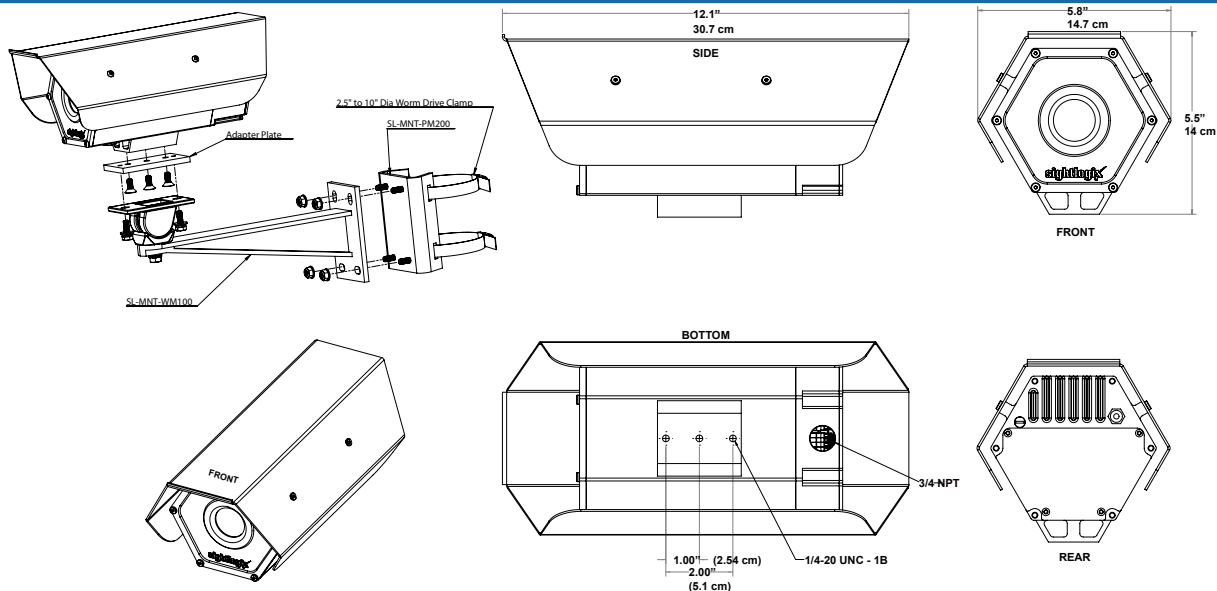
0 to 100%

Storage Temperature

-40° to +80°C (-40° to 176°F)

Storage Relative Humidity

0-95%, non-condensing



Specifications are subject to change without notice. © SightLogix, Inc. SightLogix, SightSensor and SightMonitor are registered trademarks of SightLogix, Inc. Equipment described herein is subject to US export regulations and may require a license prior to export. Diversion contrary to US law is prohibited.

745 Alexander Road | Princeton, NJ 08540 | p +1 609.951.0008 | f 609.951.0024 | www.sightlogix.com